

ProfiShark 100M

All-in-One Fast Ethernet Troubleshooter

Your Comprehensive Solution for Deep 10/100 Network Analysis

- The ProfiShark 100M is an industry favorite when it comes to Ethernet Troubleshooting. It is designed for both regular Ethernet and Real-Time Industrial Internet and offers a comprehensive and cost-effective solution for tapping into your 10/100 network.

The ProfiShark 100M is a straightforward solution which allows for unparalleled network monitoring. In-line, it sees and monitors all 7 OSI layers. It captures and aggregates full-duplex traffic at wirespeed (200 Mb/s). Ultra compact and easy to use, it only requires one USB 2.0 (480 Mb/s) port. The hardware setup takes less than a minute.

Features

- Full-duplex aggregation on USB 2.0
- Non-intrusive in-line monitoring
- Zero network latency
- Permanent network link guaranteed
- Bypass data on power failure, no packet loss
- Galvanic separation for maximum protection
- Displays MAC Faults for sniffers
- Monitors all protocol levels
- CRC error frames capture
- Completely 802.3af & VoIP compliant
- Ultra-compact; only 24x55x102mm
- USB powered; no adaptor required
- Industry Tested via major analysis & monitoring systems
- 5 ns timestamp & converter tool
- MAC/IP Filtering; SetUp tool included

Compatibility

The ProfiShark 100M works flawlessly with a wide variety of operating systems, such as Windows, Linux, and BSD.

Timestamp

This feature allows for the real-time analysis of aggregated and buffered traffic. It can measure latencies with nanosecond resolution.

General Application

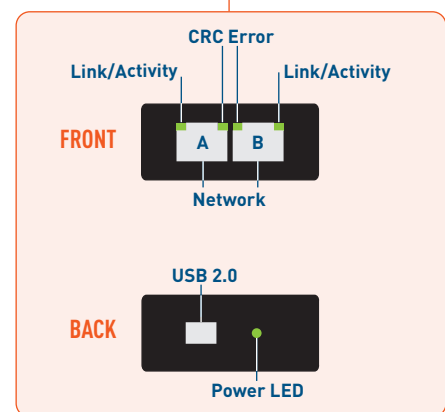
The ProfiShark 100M is compatible with many third-party software, including Wireshark, OmniPeek, Observer and many more. The included USB key contains the necessary drivers and powerful analysis software you'll need to get started.

Technical Specifications

| | |
|----------------------|--|
| Connectors | 2 x RJ45 8 pins • 1 x USB 2.0 |
| LEDs | 2 x Link/Activity • 2 x CRC error • 1 x Power |
| Max. Network Latency | No latency |
| System requirements | Dual Core Processor • 1 GB memory • USB 2.0 port |
| Supported OS | Windows 7 / 8 / 10 (32-bit & 64-bit) • Linux |
| Dimensions (WxDxH) | 55 x 102 x 24 mm • 2.17 x 4.02 x 0.94 in |
| Accessories | 1.8 m USB 2.0 cable • RJ45 cable • Pouch • USB key |
| Compliance | RoHS • CE |



Connection



Profitap HQ B.V.

High Tech Campus 9
5656 AE Eindhoven
The Netherlands

+31 (0) 40 782 0880

www.profitap.com